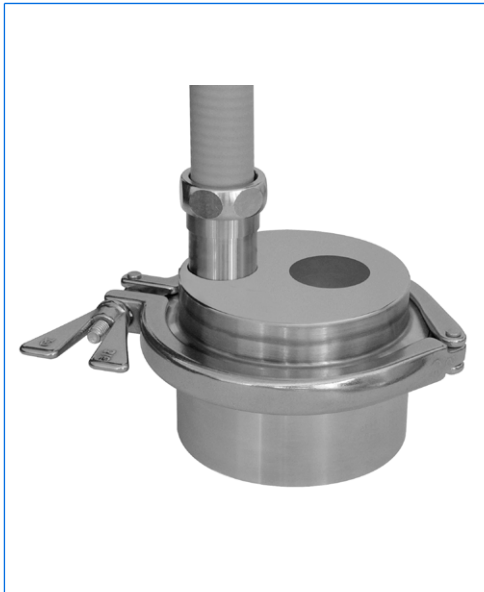




# Metal fused sightglasses for "view and light" for Triclamp fittings for sightglass light fittings series fibroLUX® for use in hazardous and safe areas



Metal fused sightglass, 4", with lightpipe end of the fibroLUX® fibre optic sightglass light fitting

### Applications:

- For clamp fittings to DIN 32676 / ISO 2852

### Advantages:

- For sterile applications
- High security
- Easy installation
- Allows the combination "view and light through one sightglass" in DN 100 / 4"
- Brilliant and glare free illumination

### Metal fused sightglass:

#### Approvals:

A3 Standard for food processing

#### Technical data:

- Test base: DGRL 97 / 23 / EG, AD 2000 standards, DIN 7079-1 May 1999
- Materials to VdTUV specifications and the respective DIN/EN standards
- Glass quality: Borosilicate glass to DIN 7080

#### Certificates:

- To be supplied against extra charge to DIN EN 10204

#### Operating conditions:

- Pressure: -1 to 10 bar
- Temperatures:

Ring materials: 1.4462: -30 °C to +280 °C  
2.4602: -60 °C to +300 °C

### Sightglass light fitting series fibroLUX®:

#### Supply:

AC or DC  
24, 36, 42, 115, 230, 240 V with integrated transformer  
12, 24 V without integrated transformer

#### Power:

35 W

#### Materials:

Housing: Aluminium alloy (Anticorodal)  
Lightpipe: Galvanized steel, enclosed in silicone rubber tube  
Ferrules: Stainless steel

#### Protection mode:

IP 65, dust and spray water tight

The following data refer to the hazardous versions:

Ignition protection type: Ex de to EN 60079-0 / 60079-1 / 60079-7,  
Ex tD A21 IP65 to EN 61241-0 / 61241-1

#### Explosion group:

IIC

#### Temperature classes

T4 / T130°C (T3 / T195°C with supply voltage of 12 or

#### G / D:

24 V DC)

T<sub>a</sub> = - 20°C / + 40°C (T<sub>a</sub> up to + 60°C on request)

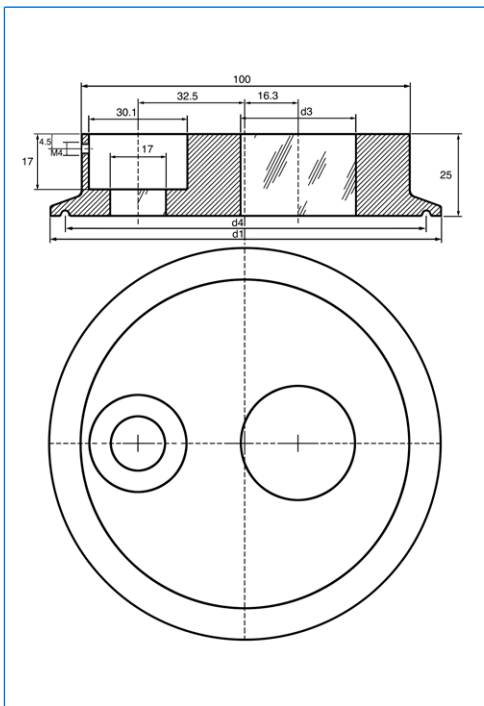
#### ATEX:

Ex II 2 G + D

For more technical details see data sheet fibroLUX®

#### Dimensions:

| Nominal diamter (DN) |      | d1  | d3 | d4  | Max. operating pressure (bar) |
|----------------------|------|-----|----|-----|-------------------------------|
| DN                   | inch |     |    |     |                               |
| 100                  | 4"   | 119 | 35 | 110 | 10                            |



Dimensions

All dimensions in mm. Subject to changes without preliminary notice.



# MAX MÜLLER AG

## PROCESS ILLUMINATION AND VISUAL OBSERVATION SYSTEMS

Hagmattstrasse 19 • CH - 4123 Allschwil / Switzerland

Telephone +41 61 487 92 92 • Telefax +41 61 487 92 99

www.maxmuellerag.com E-Mail: blt@maxmuellerag.com