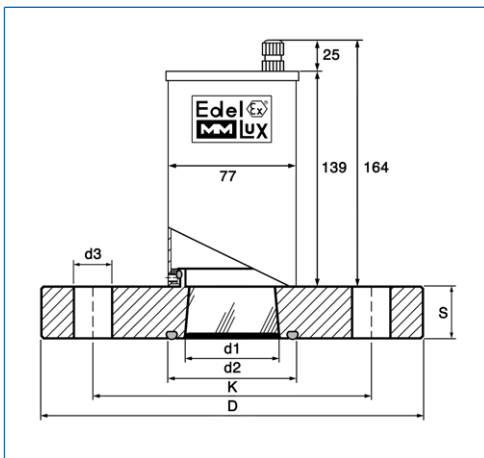


## Hazardous sightglass light fittings from stainless steel for sterile applications

### Series EdelEx 5 dH / 10 dH / 20 dH on metal fused sightglass flanges for sterile processes



Sightglass light fitting type EdelEx STERI-LINE 20 dH, 24 V, 20 W, Ex d IIC T4, Ex tD A21 IP65 T130°C, Ex II 2 G + D, on metal fused sightglass flange



Dimensions with mounted sightglass light fitting

Branch office / exclusive agent:

#### Application:

On metal fused sightglass flanges for mounting onto

- base flanges to DIN 28117 or similar
- weldnecks with flat face

for the optimal illumination of small and pilot reactors as well as vessels for sterile and aseptic applications, mainly in the pharmaceutical, biotechnological, cosmetic and food processing industries.

**IMPORTANT:** Only for use with parallel flat face flanges without seal recess. We recommend the use of Belleville spring washers, 2 pcs. for each connection hole.

#### Advantages:

- Brilliant and glare free illumination
- Extremely small dimensions
- Aseptic
- High security
- Easy installation
- CIP and SIP cleaning possible

#### Light fitting series EdelEx STERI-LINE (for use in hazardous areas):

Supply: AC or DC (with integrated transformer AC only)  
 24, 36, 42, 115, 230, 240 V with integrated transformer (5, 10 W)  
 12, 24 V without integrated transformer (20 W)

Power: 5, 10, 20 W

Housing: Stainless steel

Protection mode: IP 65, dust and spray water tight to EN 60529 / DIN VDE 0470 part 1

Ignition protection type: Ex d to EN 60079-0 / 60079-1, Ex tD A21 to 61241-0 / 61241-1

Explosion group: IIC

Temperature clas- T4 / T130°C (10 and 20 W), T6 / T80°C (5 W)

ses G / D: T<sub>a</sub> = - 20°C / + 40°C (T<sub>a</sub> up to + 60°C on request)

ATEX: Ex II 2 G + D

**For more technical details see data sheet EdelEx 5 dH / 10 dH / 20 dH**

#### Metal fused sightglass flange:

##### Approvals:

TÜV-approval to the pressure vessel guideline as part of a pressure vessel (for material duplex stainless steel 1.4462)

##### Technical data:

- Test base: DGRL 97 / 23 / EG, AD 2000 standards, DIN 7079-1 May 1999
- Materials to VdTÜV specifications and the respective DIN/EN standards
- Glass quality: Borosilicate glass to DIN 7080

##### Certificates:

- To be supplied against extra charge to DIN EN 10204

##### Operating conditions:

- Pressure: -1 to 16 bar
- Temperatures:  
 Ring materials: 1.4462: -30°C to +280°C  
 2.4602 / 2.4605 / 2.4610: -60°C to +300°C

##### Dimensions:

DN	PN	D	K	S	d1	d2	d3	Number of holes	O-Ring*	Spring washer*
50	16	165	125	21	38	66	18	4	58,74 x 3,53	31,5/16,3x1,25
65	16	185	145	23	38	86	18	4	78,97 x 3,53	31,5/16,3x1,25

\* Not contained in our delivery

All dimensions in mm. Subject to changes without preliminary notice.



**MAX MÜLLER AG**

PROCESS ILLUMINATION AND VISUAL OBSERVATION SYSTEMS

Hagmattstrasse 19 • CH - 4123 Allschwil / Switzerland

Telephone +41 61 487 92 92 • Telefax +41 61 487 92 99

www.maxmuellerag.com E-Mail: blt@maxmuellerag.com