

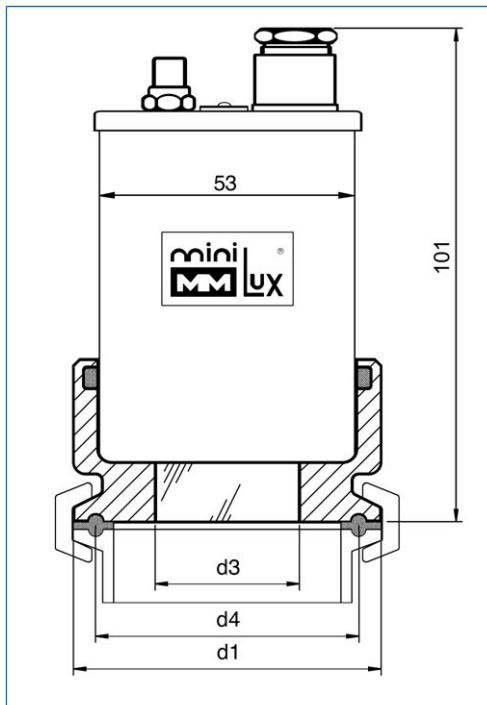


## Sightglass light fittings from stainless steel

### Series BKVLR for metal fused sightglasses for Triclamp fittings series metaClamp®



Light fitting miniLUX®, type BKVLR 50 HD, mounted on metal fused sightglass



Dimensions with mounted miniLUX® sightglass light fitting series BKVLR

All dimensions in mm. Subject to changes without preliminary notice.

#### Application:

On metal fused sightglasses for Triclamp fittings to DIN 32676 / ISO 2852 for the optimal illumination of small and pilot reactors as well as vessels for sterile and aseptic applications, mainly in the pharmaceutical, biotechnological, cosmetic and food processing industries.

#### Advantages:

- Brilliant and glare free illumination
- Extremely small dimensions
- Suitable for food processing and sterile applications
- High security
- Easy installation

#### Light fitting series miniLUX® (for safe areas only):

Supply:	Alternative or direct current (AC / DC) 24 V (Standard), 12 V (Option)
Power:	20, 50, 100 W
Housing:	Stainless steel
Bulb:	Halogen
Protection mode:	IP 65, dust and spray water tight to EN 60529 / DIN VDE 0470 part 1

For more technical details see data sheet miniLUX, series BKVLR

#### Metal fused sightglasses:

##### Approvals:

A3 Standard for food processing

#### Technical data:

- Test base: DGRL 97 / 23 / EG, AD 2000 standards, DIN 7079-1 May 1999
- Materials to VdTÜV specifications and the respective DIN/EN standards
- Glass quality: Borosilicate glass to DIN 7080

#### Certificates:

- To be supplied against extra charge to DIN EN 10204

#### Operating conditions:

- Pressure: -1 to 6 / 10 / 16 bar (see table)
- Temperatures:
 

Ring materials:	1.4462:	-30 °C to +280 °C
	2.4602:	-60 °C to +300 °C
	2.4610:	-60 °C to +300 °C

#### Dimensions:

Nominal diameter (DN)		d1	d3	d4	Max. operating pressure (bar)
(mm)	(inch)				
25 / 32 / 40	1", 1½"	50,5	25	43,5	16
50	2"	64	30	56,5	16
-	2½"	77,5	35	70,5	10
65	3"	91	40	83,5	10
80	3½"	106	50	97	10
100	4"	119	55	110	10
-	6"	167	75	156,5	6



## MAX MÜLLER AG

PROCESS ILLUMINATION AND VISUAL OBSERVATION SYSTEMS

Hagmattstrasse 19 • CH - 4123 Allschwil / Switzerland

Telephone +41 61 487 92 92 • Telefax +41 61 487 92 99

www.maxmuellerag.com E-Mail: blt@maxmuellerag.com