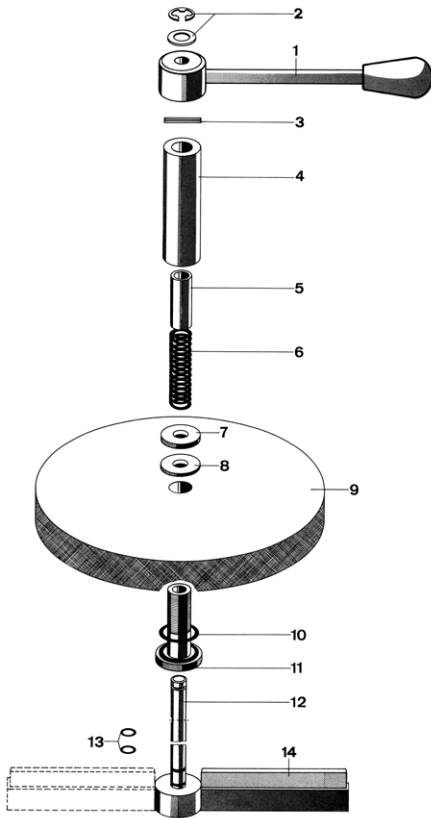


Wipers

for sightglass discs Series W / WD



Construction:

- 1 Handling arm
- 2 Circlips
- 3 Fixation pin
- 4 Distance piece
- 5 Inner bush
- 6 Tension spring
- 7 Spring washer
- 8 Gasket
- 9 Glass disc
- 10 O-Ring
- 11 Fixation bush
- 12 Wiper-blade holder
- 13 O-Rings for holder
- 14 Wiper-blade

Application:

Wipers of the series W / WD are built into sightglasses to DIN 28120 or similar to DIN 11851 to prevent crystallisation of the media inside the vessel onto the inner side of the glass disc or to hold the sightglass free of dust and / or dirt. The wipers are mounted into glass discs with a centric hole of a diameter of 10,5 mm.

Materials:

Standard version:
 Wiper-blade: PTFE or silicone rubber
 Mechanical parts: Stainless steel
 Glass discs: Sodium silicate similar to DIN 8902
 or
 Borosilicate similar to DIN 7080
 Macrolon on request

Operating conditions:

1. Maximum pressure inside the vessel: 1,5 to 6 bar, depending of the glass diameter (see table overleaf)
 2. Vacuum
 3. Maximum temperatures:
 180 °C with wiper-blade of silicone rubber
 200 °C with wiper-blade of PTFE
- For higher pressures, please consult us.

Possible combinations:

Sightglasses to DIN 28120:

- With spraying devices series SV / SVS
- From DN 50:
 - With fibre-optic light fittings series fibroLUX®
- From DN 80:
 - With light fittings miniLUX® series KVL / KVLR / BKVLR
 - With light fittings metaLUX® series HL
- From DN 100:
 - With light fittings CHEMLUX® series F(L)KEL / (L)KEL / KL
 - With light fittings EdelLUX® series EdelEx
 - With light fittings miniLUX® series KLR

Sightglasses similar to DIN 11851:

- From DN 65:
 - With light fittings metaLUX® series HLM
 - With fibre-optic light fittings series fibroLUX®
- From DN 100:
 - With light fittings metaLUX® series HLMR
- From DN 125:
 - With light fittings miniLUX® series KVL / KVLR / BKVLR

Type designation:

Version with one wiper-blade: Type W
 Version with double wiper-blade: Type WD

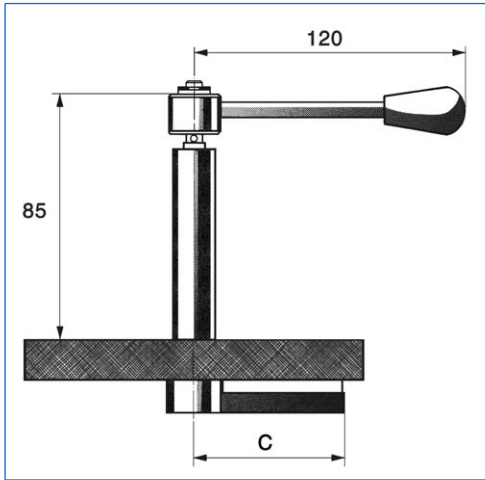
Special version:

Manipulation by knob instead of handling arm. On request.

Additional remark:

The glass discs with centric hole and the wipers may be ordered separately. In case of complete orders, they leave our works as premounted units.

The wipers for the screwed sightglasses similar to DIN 11851 of the DN 40 are only available with the knob version.



The following table is valid for VETROLUX® sightglasses to DIN 28120 or similar.

DN	Free view (mm)	Length of wiper-blade (mm)	Dimensions of the glass disc (diameter x thickness) (mm)	C	Maximum pressure (bar)
50	80	26	100 x 15	38	6
80	100	36	125 x 15	48	4,5
100	125	48	150 x 15	60	3
125	150	61	175 x 15	73	2
150	175	73	200 x 15	85	1,5
200	225	98	250 x 15 ¹ / 250 x 19 ²	110	1,5

¹ in sodium silicate similar to DIN 8902

² in borosilicate similar to DIN 7080

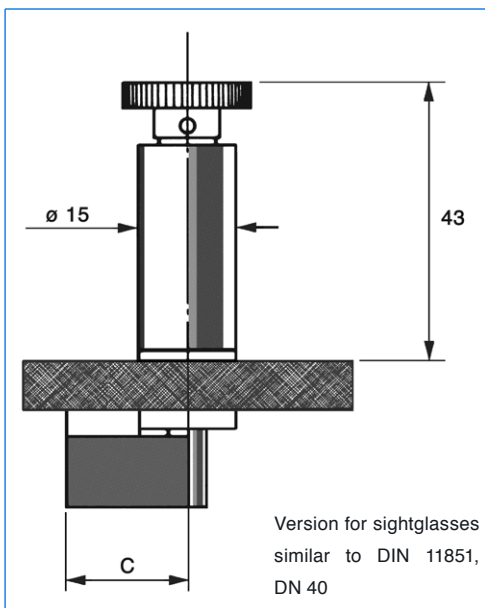
Special dimensions on demand. (Up to DN 400)



The following table is valid for screwed sightglasses VETROLUX® similar to DIN 11851.

DN	Free view (mm)	Length of wiper-blade (mm)	Dimensions of the glass disc (diameter x thickness) (mm)	C	Maximum pressure (bar)
40	40	11	51 x 7,5	18	3
65	65	18	84 x 10	30	4
80	80	26	99 x 15	38	6
100	100	36	114 x 15	48	5
125	125	48	147 x 15	60	3
150	150	61	175 x 15	73	2

Special dimensions on demand.



Do you wish for more information about our wide range of light fittings for use in hazardous or safe areas, about our range of circular sightglasses to DIN 28120/28121, screwed sightglasses similar to DIN 11851, rectangular or D-ended sightglasses, pipeline flow indicators, sideways operated wipers, hinged sightglasses, spraying devices or our complete sight and lightglass units VETROLUX®? Are you interested in other types, special versions or different protection degrees? If yes, please contact us, our branch office or our local agents – it is our business! You will find the necessary indications about our sales network on the Internet.

All dimensions in mm. Subject to changes without preliminary notice.