

Flow indicators for pipelines with flanged ends for bolting

Series FF-VA / FB-VA in stainless steel

Series F-St in carbon steel



Sight flow indicator, series FB-VA, type FB-VA 50



Sight flow indicator, series FB-VA, type FB-VA 100

Application:

VETROLUX® sight flow indicators are used for the observation of a flow of liquid in tubes and pipelines. Visibility may be considerably enhanced by combination with our proven light fittings for hazardous and safe areas. (Please see our respective leaflets).

Operating conditions:

Nominal pressure: 10 bar (PN 10)
 PN 6 / 16: On request (only for series F-St)
 Vacuum
 Maximum temperature: 280 °C

Standard materials:

Body material: 1.4435 (= AISI 316 L) / 1.4404 (= AISI 316 L)
 (series FF-VA / FB-VA) (up to DN 100)
 1.4571 (= AISI 316 Ti) (from DN 125)

Loose connecting flanges, PN 10, to DIN 2642: Galvanised RSt 37-2
 (series FB-VA)

Body material and welded connecting flanges to DIN 2576, PN 10: Carbon steel RSt 37-2
 (Series F-St)

Flanges, PN 10 (to DIN 2576): 1.4571 (= AISI 316 Ti)
 (series FF-VA)

Cover flanges: Galvanised RSt 37-2 / C 22.8 (FB-VA / F-St)
 Stainless steel (FF-VA)

Bolts: Galvanised socket head screws to DIN 912, 8.8 (FB-VA / F-St)
 A4-70 (FF-VA)

Glass discs: Borosilicate glass to DIN 7080 (Standard)
 Sodium silicate glass to DIN 8902 (Option)

Gaskets product side: Graphite
 cover side: KLINGERSil C4400

Other materials are available on request.

Options:

- Security version with double glazing
- Version **without** "drop-nose" for hygienic applications
- With turbine
- With flap

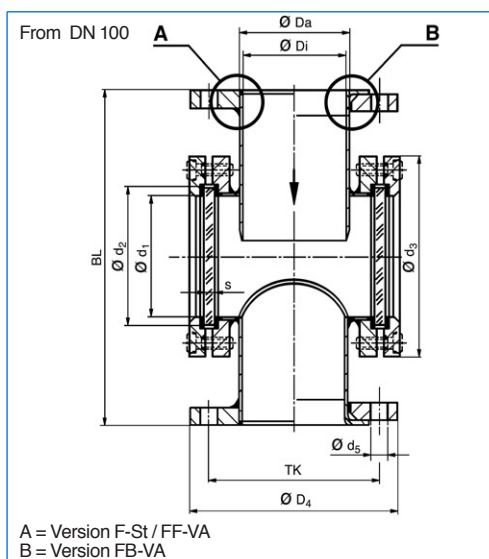
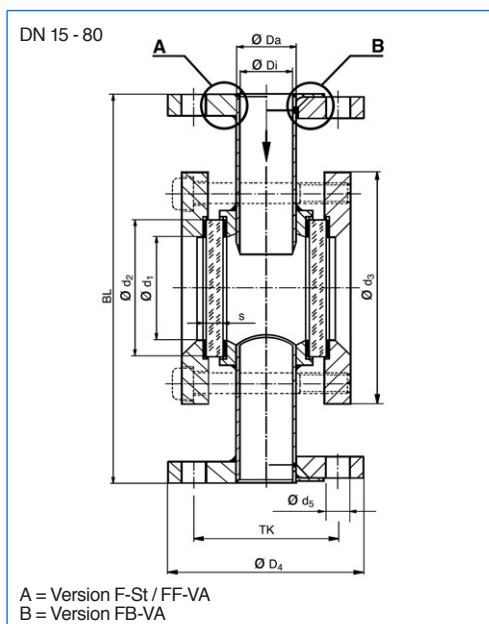
Remarks:

When enquiring or ordering please **always** state the nominal pressure (PN) required.

Ordering example:

1 piece VETROLUX® sight flow indicator with flanged ends, body in stainless steel 1.4435 (= AISI 316 L), nominal pressure 10 bar (PN 10), nominal diameter (DN) 80:

1 piece FF-VA 80-316 L-10-Graphite-KLINGERSil C4400



| Type | DN | BL (DIN F1) | Ø D ₄ | TK | Ø d ₅ | Ø Da | Ø Di | Ø d ₃ | Ø d ₁ | number and size of bolts | Ø d ₂ | s |
|----------------|-----|-------------------|------------------|-----|------------------|-------|-------|------------------|------------------|-----------------------------------|------------------|----|
| FF-VA FB-VA | 15 | 150 | 95 | 65 | 14 | 21,3 | 18,1 | 110 | 32 | 4 x M8 | 45 | 10 |
| F-St | 15 | | | | | | 16,0 | | | | | |
| FF-VA FB-VA | 20 | 200 | 105 | 75 | 14 | 26,9 | 23,7 | 110 | 48 | 4 x M10 | 63 | 10 |
| F-St | 20 | | | | | | 21,6 | | | | | |
| FF-VA FB-VA | 25 | 250 | 115 | 85 | 14 | 33,7 | 29,7 | 135 | 48 | 4 x M10 | 63 | 10 |
| F-St | 25 | | | | | | 27,2 | | | | | |
| FF-VA FB-VA | 32 | 320 | 140 | 100 | 18 | 42,4 | 38,4 | 135 | 65 | 4 x M10 | 80 | 12 |
| F-St | 32 | | | | | | 35,9 | | | | | |
| FF-VA FB-VA | 40 | 400 | 150 | 110 | 18 | 48,3 | 44,3 | 135 | 65 | 4 x M12 | 80 | 12 |
| F-St | 40 | | | | | | 41,8 | | | | | |
| FF-VA FB-VA | 50 | 500 | 165 | 125 | 18 | 60,3 | 55,1 | 150 | 80 | 4 x M12 | 100 | 15 |
| F-St | 50 | | | | | | 53,0 | | | | | |
| FF-VA FB-VA | 65 | 650 | 185 | 145 | 18 | 76,1 | 70,9 | 150 | 80 | 4 x M12 | 100 | 15 |
| F-St | 65 | | | | | | 70,3 | | | | | |
| FF-VA FB-VA | 80 | 800 | 200 | 160 | 18 | 88,9 | 83,7 | 185 | 100 | 4 x M12 | 125 | 15 |
| F-St | 80 | | | | | | 82,5 | | | | | |
| FF-VA FB-VA | 100 | 1000 | 220 | 180 | 18 | 114,3 | 107,9 | 210 | 125 | 8 x M12 | 150 | 20 |
| F-St | 100 | | | | | | 107,1 | | | | | |
| FF-VA FB-VA | 125 | 1250 | 250 | 210 | 18 | 139,7 | 133,3 | 240 | 150 | 8 x M12 | 175 | 20 |
| F-St | 125 | | | | | | 131,7 | | | | | |
| FF-VA FB-VA | 150 | 1500 | 285 | 240 | 22 | 168,3 | 161,9 | 275 | 175 | 8 x M16 | 200 | 25 |
| F-St | 150 | | | | | | 159,3 | | | | | |
| FF-VA FB-VA | 200 | 2000 | 340 | 295 | 22 | 219,1 | 212,7 | 340 | 225 | 8 x M16 | 250 | 30 |
| F-St | 200 | | | | | | 207,3 | | | | | |

Branch office / exclusive agent:

Do you wish for more information about our wide range of light fittings for use in hazardous or safe areas, about our range of circular sightglasses to DIN 28120/28121, screwed sightglasses similar to DIN 11851, rectangular or D-ended sightglasses, pipeline flow indicators, sideways or centrally operated wipers, hinged sightglasses, spraying devices or our complete sight and light-glass units VETROLUX®? Are you interested in other types, special versions or different protection degrees? If yes, please contact us, our branch office or our local agents – it is our business! You will find the necessary indications about our sales network on the Internet.

All dimensions in mm. Subject to changes without preliminary notice.



MAX MÜLLER AG

PROCESS ILLUMINATION AND VISUAL OBSERVATION SYSTEMS

Hagmattstrasse 19 • CH - 4123 Allschwil / Switzerland

Telephone +41 61 487 92 92 • Telefax +41 61 487 92 99

www.maxmuellerag.com E-Mail: blt@maxmuellerag.com