



Timers for sightglass light fittings, series U3 and RU3 (with stainless steel housing), for use in hazardous areas



Timer type U3-230, housing in glass fibre reinforced polyester resin, nominal rating 230 V AC



Timer type RU3-24 DC, housing in stainless steel, nominal rating 24 V DC

Application:

The timers of the series U3 / RU3 serve as external devices for the remote timed operation of sightglass light fittings of the series CHEMLUX[®], EdelLUX[®] and fibroLUX[®]. Their use may considerably reduce energy consumption and maintenance costs involved with bulb changes.

In pharmaceutical, sterile and clean room applications, the use of the RU3 timer with its stainless steel housing is particularly recommended in combination with light fittings of the stainless steel series EdelLUX[®].

Installation is easily made by wiring the unit into the power supply cable.

The electronic timer module is normally set in our workshops for a period of ca. 5 minutes, but other periods of operation (10 or 15 minutes) may be requested. The required period must be clearly stated at the time of order.

The high switching capacity allows for the connection of more than one light fitting to one unit, particularly on apparatuses fitted with multiple light.

The housings are **certified to ATEX in the groups G (zones 1 and 2) and D (zones 21 and 22)** which allows for universal application in designated hazardous locations.

Short lead times are guaranteed by our ample stock.

Technical data:

Declaration of conformity of the timer module	SNCH 04 ATEX 3625 U
Ignition protection degree	Ex II 2 G + D EEx de II C T6
Protection mode	IP 65
Nominal ratings	24 V AC / DC, 120 / 230 / 240 V AC
Ambient temperature	- 20 °C to + 40 °C
Connections	Max. 2,5 mm ²
Outgoing contact	1 closing contact
Max. current	4 A
Housing	Type U3: Glass fibre reinforced polyester resin Type RU3: Stainless steel



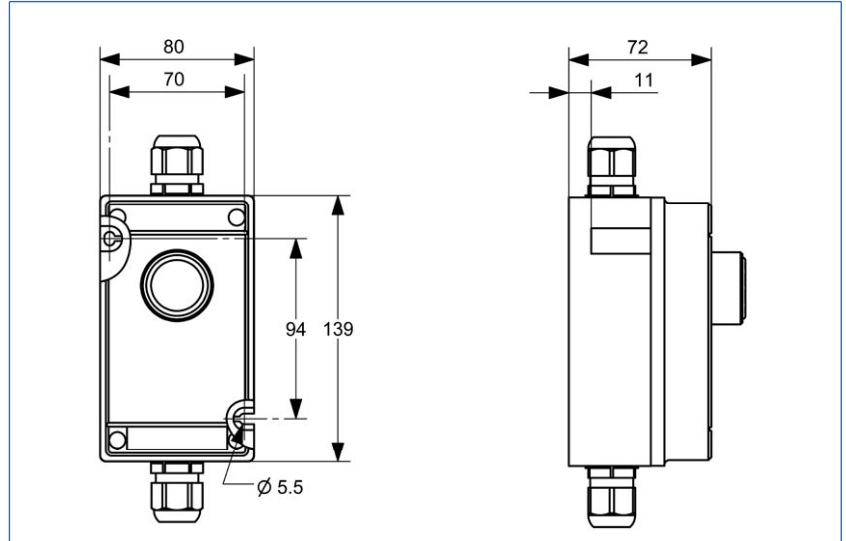
MAX MÜLLER AG

Europe's largest sightglass light fitting programme!
Perfect, thoroughly engineered solutions from one hand!
Always an interesting, technically advanced idea ahead!

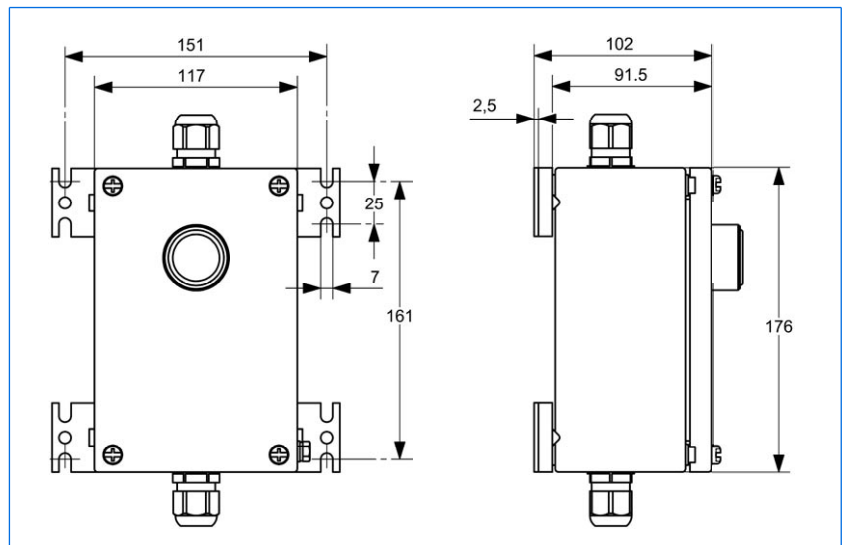


Dimensions

Type U3



Type RU3



Cable glands M20 x 1,5 from plastic material. Against extra charge available in stainless steel for type RU3. (Please state in your enquiry)

Branch office / exclusive agent:

Do you wish for more information about our wide range of light fittings for use in hazardous and safe areas, about our range of circular sightglasses to DIN 28120/28121, screwed sightglasses similar to DIN 11851, rectangular or D-ended sightglasses, pipeline flow indicators, centrally or sideways operated wipers, hinged sightglasses, spraying devices or our complete sight and lightglass units VETROLUX®? Are you interested in other types, special versions or different protection degrees? If yes, please contact us, our branch office or our local agents – it is our business! You will find the necessary indications about our sales network on the Internet.

All dimensions in mm. Subject to changes without preliminary notice.



MAX MÜLLER AG

PROCESS ILLUMINATION AND VISUAL OBSERVATION SYSTEMS

Hagmattstrasse 19 • CH - 4123 Allschwil / Switzerland

Telephone +41 61 487 92 92 • Telefax +41 61 487 92 99

www.maxmuellerag.com E-Mail: blt@maxmuellerag.com

05.06