

Sightglass light fittings completely in stainless steel for use in hazardous areas

Series EdelEx 5 dH / 10 dH / 20 dH



Sightglass light fitting type EdelEx 20 dH Sch K1, 20 W, 24 V, Ex d IIC T4, Ex tD A21 IP65 T130°C, Ex II 2 G + D, mounted onto circular sightglass to DIN 28120, PN 10, DN 125.



Sightglass light fitting type EdelEx 10 dH R50 K1, 10 W, 230 V, Ex d IIC T4, Ex tD A21 IP65 T130°C, Ex II 2 G + D, with intermediate flange collar fixation "R", mounted onto a screwed sightglass similar to DIN 11851, PN 6, DN 50.

With the series EdelEx, MAX MÜLLER AG presents the **first hazardous area sightglass light fitting made of stainless steel**. With the combination of advanced technological ideas, no compromise design and the reputed MAX MÜLLER quality, the series EdelEx offers to the fabricators and users of all stainless steel process equipment the following important advantages:

For the purchasing department:

- **Highly competitive prices** due to compact value-engineered design and highly efficient manufacturing techniques
- **Short lead times**

For the design or plant engineer:

- Versatile design enabling the light fittings to be used either as a combination "view and light through one assembly", or for separate mounting in a two port system from DN 25 upwards depending on the type of sightglass
- **Easy** installation with two fixing systems (flange collar "R" or tilting hinge "Sch" / "Sch 1"), meeting all applications on:
 - Circular sightglasses to DIN 28120/28121 or similar
 - Screwed sightglasses similar to DIN 11851
 - Pipeline flow indicators for pipelines
- Certified to ATEX in the groups G (zones 1 and 2) and D (zones 21 and 22)
- **Brilliant illumination** due to specially designed high efficiency reflector and wattages up to 20 W! (see overleaf)
- Light units may be **installed without restriction in any position**
- **Particularly designed for the powerful lighting out of stainless steel** vessels, reactors, mixers, fermentors, containers and related process equipment in **hazardous areas** in the pharmaceutical, bio-chemical, chemical, cosmetic and food processing industries
- For sterile and "clean rooms" applications
- Certified in accordance with the harmonized European standards (EN)
- Connection to different supply voltages (see overleaf)

For the maintenance electrician:

- **Easy replacement** of bulbs
- Halogen bulbs are **industry standards available** from local suppliers

Operating conditions:

Completely **independent** of internal vessel pressure and vacuum. There is **no restriction** on the mounting position of the light fitting.

Electrical data:

Supply: AC or DC, depending on the type of light fitting
 (Note: With integrated transformer AC **only**).
 Terminal voltages: See overleaf

Enclosure protection degree:

IP 65, dust and spray water tight.

Construction and materials:

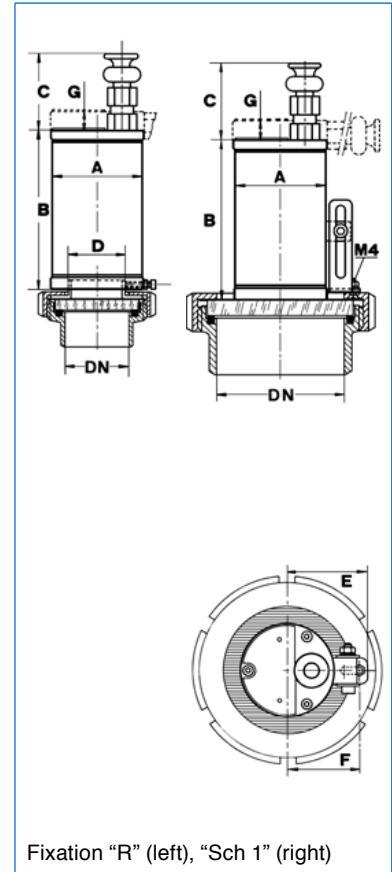
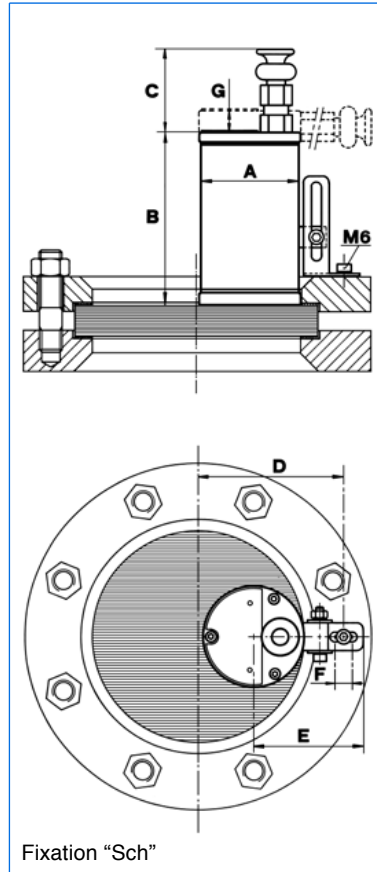
Housing and fixation elements **in stainless steel**. Cable gland M16, in vertical position, type designation "K1", (standard delivery) or in horizontal position (designation "K2"). Connection terminals up to 2,5 mm². Additional earth terminal 4 mm² external to the housing. Built-in reflector and halogen bulb, according to your needs to produce a wide ("flood" version) or concentrated ("spot" version) beam of light. Standard version: "Spot".

Type designation	EdelEx 5 dH	EdelEx 10 dH	EdelEx 20 dH
Nominal rating (W)	5	10	20
Terminal voltage with integrated transformer (V)	24, 36 42, 115 230, 240	24, 36 42, 115 230, 240	
Terminal voltage without transfo (AC / DC) (V)	12	12	12, 24
Bulb	Halogen		
Socket	G4		
Weight ¹⁾ (kg)	1,9	1,9	1,65
Ignition protection type to EN 60079-0/60079-1 EN 61241-0/61241-1	Ex d Ex tD A21 IP65		
Explosion group	IIC		
Temperature class G / D ²⁾	T6 / T80°C	T4 / T130°C	T4 / T130°C
ATEX	Ex II 2 G + D		

¹⁾ The indicated weight only refers to the light fitting.
Weight of the fixations: "Sch / Sch 1": 0,06 kg, "R": 0,08 kg
²⁾ T_a = - 20°C / + 40°C (T_a up to + 60°C on request)

Mounting:

- On circular sightglasses to or similar to DIN 28120/28121:
DN 25 – DN 200: With tilting hinge "Sch"
- On screwed sightglasses similar to DIN 11851:
DN 50 / DN 65: With intermediate flange collar "R" in AISI 304 (DN size should be specified on ordering)
From DN 80: With tilting hinge "Sch 1" onto the grooved collar nut
- On pipeline flow indicators:
With tilting hinge "Sch 1" or specific customer adaptation



Branch office / exclusive agent:

All dimensions in mm.

Subject to changes without preliminary notice.



Sightglasses to DIN 28120

DN	A	B	C	D	E	F	G
50	77	128	63	67	81	12	13
80	77	128	63	77	81	12	13
100	77	128	63	90	81	12	13
125	77	128	63	102	81	12	13
150	77	128	63	115	81	12	13
200	77	128	63	140	81	12	13

Sightglasses similar to DIN 11851

DN	A	B	C	D	E	F	G
50	77	128	63	44	59	–	13
65	77	128	63	44	59	–	13
80	77	128	63	–	59	47	13
100	77	128	63	–	59	57	13
125	77	128	63	–	59	69	13
150	77	128	63	–	59	82	13

Do you wish for more information about our wide range of light fittings for use in hazardous and safe areas, about our range of circular sightglasses to DIN 28120/28121, screwed sightglasses similar to DIN 11851, rectangular or D-ended sightglasses, pipeline flow indicators, centrally or sideways operated wipers, hinged sightglasses, spraying devices or our complete sight and lightglass units VETROLUX®? Are you interested in other types, special versions or different protection degrees? If yes, please contact us, our branch office or our local agents – it is our business! You will find the necessary indications about our sales network on the Internet.

MAX MÜLLER AG

PROCESS ILLUMINATION AND VISUAL OBSERVATION SYSTEMS

Hagmattstrasse 19 • CH - 4123 Allschwil / Switzerland

Telephone +41 61 487 92 92 • Telefax +41 61 487 92 99

www.maxmuellerag.com E-Mail: blt@maxmuellerag.com